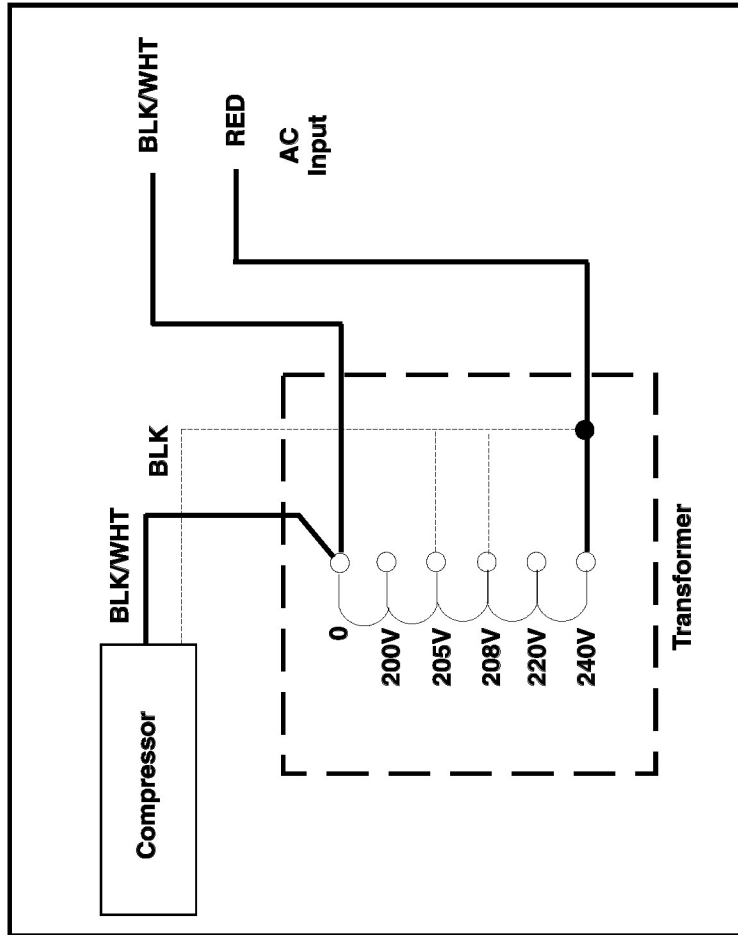


Thermonics Technical Bulletin

T-2500E (SE) Transformer Wiring Options

Transformer Configuration for 50 Hz Operation



50 Hz Operation

Input Voltages	Terminal Range		
	230	231 to 240	190 to 205
0V			
200V			
205V		X	
208V	X		
220V			
240V			X

Move black wire to indicated terminal for corresponding voltage

Note: For 50 Hz operation, the compressor requires 205V.
For 60 Hz operation, the compressor requires 220V.

