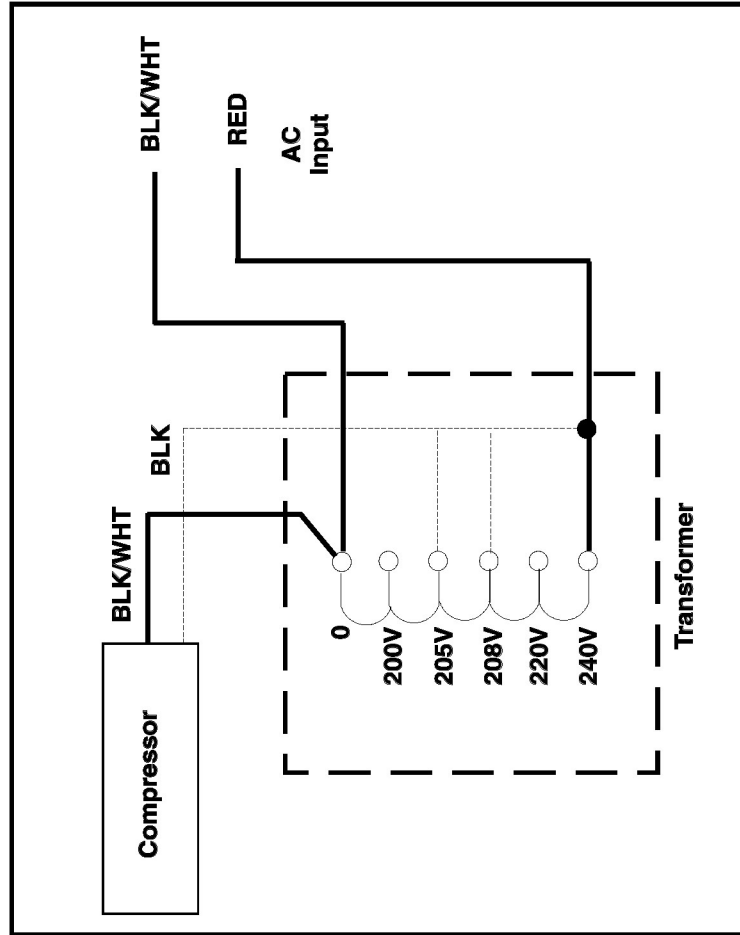


Transformer Configuration for 50 Hz Operation



50 Hz Operation

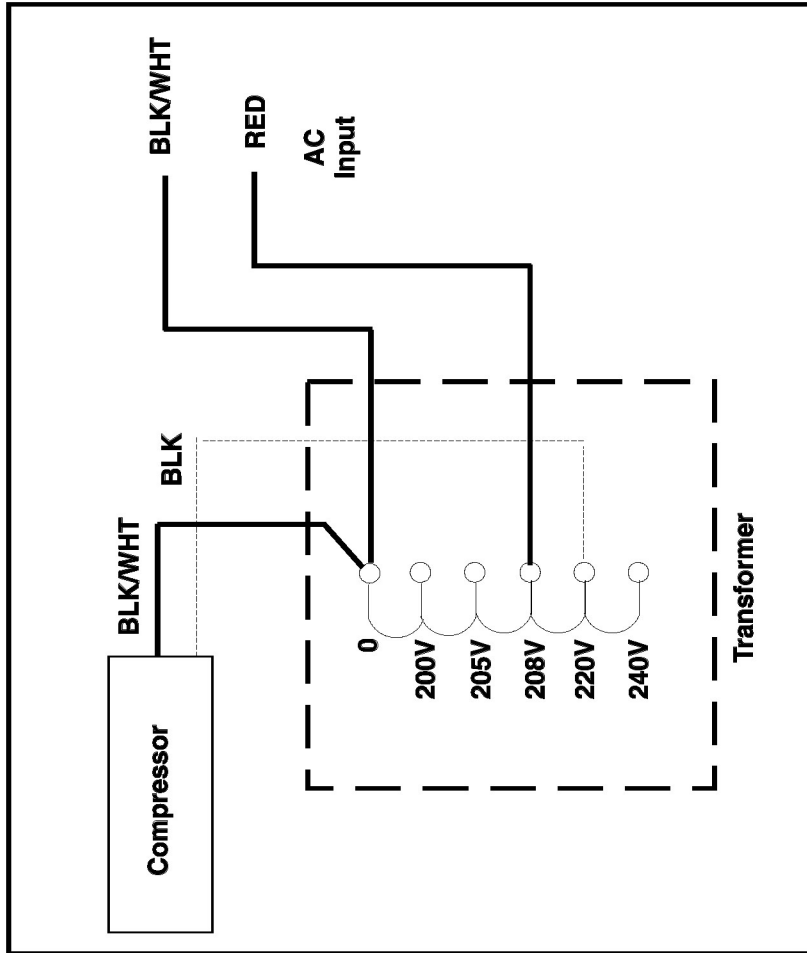
Input Voltages	230	231 to 240	190 to 205
0V			
200V			
205V		X	
208V	X		
220V			
240V			X

Move black wire to indicated terminal for corresponding voltage

Note: For 50 Hz operation, the compressor requires 205V.  
For 60 Hz operation, the compressor requires 220V.

D:\service\transformer.cdr

Transformer Configuration for 60Hz Operation



For 60Hz operation, the system is always wired, as above, for voltages between 200 and 230.